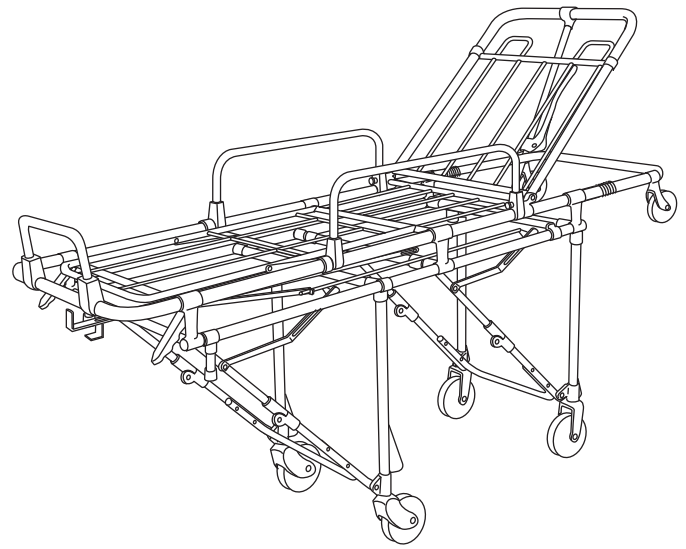
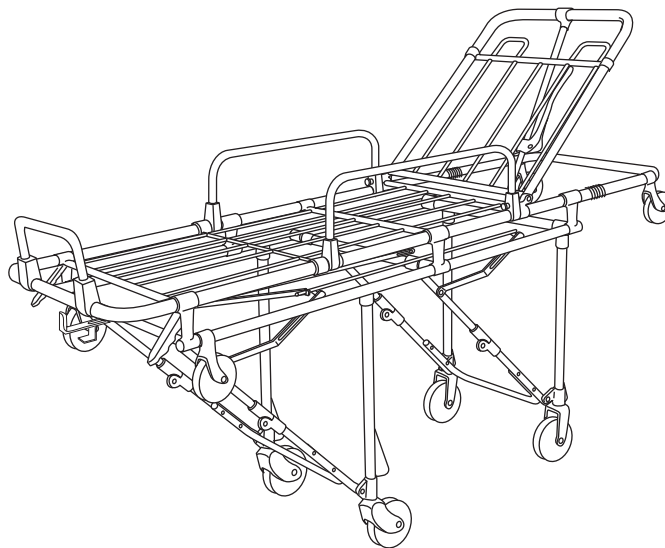


MODEL 26 COT



MODEL 26-S COT



MODEL 26-AS COT

Model 26 Series Cot

March 2010 GLO
Pub. No. 234-2041-04



*Read this Manual
and Retain for
Future Reference*

Ferno Customer Relations

For ordering assistance or general information:

CANADA AND THE U.S.A.

Telephone (Toll-free)	1.877.733.0911
Telephone	1.937.382.1451
Fax (Toll-free)	1.888.388.1349
Fax	1.937.382.1191
Internet	www.ferno.com

ALL OTHER LOCATIONS

For assistance or information, please contact your Ferno distributor. If you do not have a Ferno distributor, please contact Ferno Customer Relations:

Ferno-Washington, Inc.
70 Weil Way

Wilmington, Ohio 45177-9371, U.S.A.

Telephone	+1.937.382.1451
Fax	+1.937.382.6569
Internet	www.ferno.com

EUROPEAN REPRESENTATIVE


Ferno (UK) Limited
Stubs Beck Lane, Cleckheaton
West Yorkshire BD19 4TZ, United Kingdom

Telephone	+44 (0) 1274 851999
Fax	+44 (0) 1274 851111
Internet	www.ferno.co.uk

Ferno Technical Support

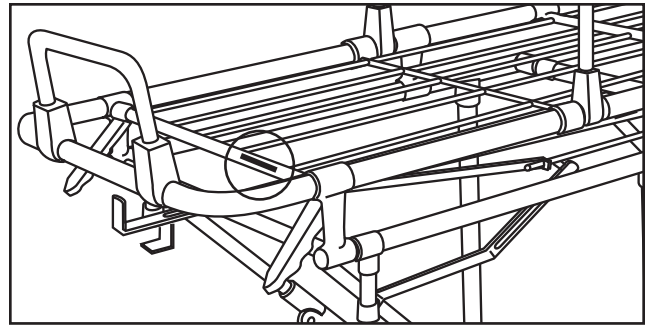
Customer service and product support are important aspects of each Ferno product. Please have the product serial number available when calling, and include it in all written communications. For technical support questions:

Telephone (Toll-free)	1.800.733.3766 ext. 1010
Telephone	1.937.382.1451 ext. 1010
Email	quality.products@ferno.com



USERS' MANUAL

To request additional free users' manuals, contact Ferno Customer Relations, your Ferno distributor, or visit www.ferno.com.



Serial Number _____

Location: Foot-End Crosstube



Disclaimer

This manual contains general instructions for the use, operation and care of this product. The instructions are not all-inclusive. Safe and proper use of this product is solely at the discretion of the user. Safety information is included as a service to the user. All other safety measures taken by the user should be within and under consideration of applicable regulations. It is recommended that training on the proper use of this product be provided before using this product in an actual situation.

Retain this manual for future reference. Include it with the product in the event of transfer to new users. Additional free copies are available upon request from Customer Relations.

Proprietary Notice

The information disclosed in this manual is the property of Ferno-Washington, Inc., Wilmington, Ohio, USA. Ferno-Washington, Inc. reserves all patent rights, proprietary design rights, manufacturing rights, reproduction use rights, and sales use rights thereto, and to any article disclosed therein except to the extent those rights are expressly granted to others or where not applicable to vendor proprietary parts.

Limited Warranty Statement

The products sold by Ferno are covered by a limited warranty, which is printed on all Ferno invoices. The complete terms and conditions of the limited warranty, and the limitations of liability and disclaimers, are also available upon request by calling Ferno at 1.800.733.3766 or 1.937.382.1451.


TABLE OF CONTENTS

Section	Page	Section	Page
Ferno Customer Relations _____	2	5 - Using the Cot _____	13
Ferno Technical Support _____	2	5.1 Before Placing the Cot in Service _____	13
1 - Safety Information _____	4	5.2 General Guidelines for Use _____	13
1.1 Warning _____	4	5.3 Patient Restraints _____	13
1.2 Important _____	4	5.4 Changing Cot Positions _____	14
1.3 Bloodborne Disease Notice _____	4	5.5 Rolling the Cot _____	15
1.4 Cot and Fastener Compatibility _____	4	5.6 Transferring a Patient to the Cot _____	15
1.5 Symbol Glossary _____	4	5.7 Loading the Cot _____	16
1.6 Safety and Instruction Labels _____	5	5.8 Unloading the Cot _____	16
2 - Operator Skills and Training _____	5	5.9 Using Additional Help _____	17
2.1 Skills _____	5	6 - Maintenance _____	18
2.2 Training _____	5	6.1 Maintenance Schedule _____	18
2.3 Height and Strength Considerations _____	5	6.2 Disinfecting and Cleaning the Restraints _____	18
3 - About the Cot _____	6	6.3 Disinfecting and Cleaning the Mattress _____	18
3.1 Cot Description _____	6	6.4 Disinfecting the Cot _____	18
3.2 General Specifications and Components _____	7	6.5 Cleaning the Cot _____	18
4 - Using the Features _____	9	6.6 Waxing the Cot _____	19
4.1 Undercarriage Leg Lock (All Models) _____	9	6.7 Inspecting the Cot _____	19
4.2 Leg Control Handles (All Models) _____	9	6.8 Lubricating the Cot _____	20
4.3 Swing-Down Sidearms (All Models) _____	10	7 - Accessories and Related Products _____	22
4.4 Auxiliary Lock (All Models) _____	10	8 - Parts and Service _____	22
4.5 Adjustable Backrest (All Models) _____	11	8.1 U.S.A. and Canada _____	22
4.6 Drop Frame (All Models) _____	11	8.2 Worldwide _____	22
4.7 Shock Frame (Models 26-S and 26-AS Only) _____	12	8.3 Parts List _____	22
4.8 Wheel Locks (Optional) _____	12	8.4 Parts Diagrams _____	23
		Training Record _____	24
		Maintenance Record _____	24

1 - SAFETY INFORMATION

1.1 Warning

Warning notices indicate a potentially hazardous situation which, if not avoided, could result in injury or death.

 WARNING
<p>Untrained operators can cause injury or be injured. Permit only trained personnel to operate the cot.</p> <p>Improper use of the cot can cause injury. Use the cot only for the purpose described in this manual.</p> <p>Improper operation can cause injury. Operate the cot only as described in this manual.</p> <p>An unattended patient can be injured. Stay with the patient at all times.</p> <p>An unrestrained patient can fall off the cot and be injured. Use restraints to secure the patient on the cot.</p> <p>Helpers can cause injury. Maintain control of the cot, operate the controls, and direct all helpers.</p> <p>Helpers can be injured. Show helpers where to grasp the cot to avoid pinch points.</p> <p>Improper maintenance can cause injury. Maintain the cot only as described in this manual.</p> <p>Attaching improper items to the cot can cause injury. Use only Ferno-approved items on the cot.</p> <p>Improper parts and service can cause injury. Use only Ferno parts and Ferno-approved service on the cot.</p> <p>Modifying the cot can cause injury and damage. Use the cot only as designed by Ferno.</p>

1.2 Important

Important notices emphasize important usage or maintenance information.

<p>Important</p>

1.3 Bloodborne Disease Notice

To reduce the risk of exposure to bloodborne diseases such as HIV-1 and hepatitis when using the cot, follow the disinfecting and cleaning instructions in this manual.

1.4 Cot and Fastener Compatibility

Combining different manufacturers' products into a "mixed-component" cot/cot fastener system can increase the user's risk of injury and damage.

Ferno-Washington, Inc. strongly recommends that only Ferno-manufactured cots be used in Ferno-manufactured cot fasteners, and that only Ferno-manufactured cot fasteners be used for securing Ferno-manufactured cots in ambulances.

ANY COMBINATION OF A FERNO COT OR COT FASTENER WITH A NON-FERNO COT OR COT FASTENER IS MISUSE OF THE FERNO PRODUCT. Responsibility for the outcome of known, intentional misuse rests squarely on the misuser.

1.5 Symbol Glossary

The symbols defined below are used on the cot and in this users' manual. Ferno uses symbols recognized by the International Standards Organization (ISO), American National Standards Institute (ANSI) and the emergency medical services industry.

 <p>General Warning of Potential Injury</p>	 <p>Load Limit</p>	
 <p>Read the Users' Manual</p>	 <p>Cot Operation Requires Two Trained Operators</p>	
 <p>Unlocked</p>	 <p>Locked</p>	 <p>Pinch Point</p>
 <p>Do Not Lubricate</p>	 <p>Lubricate</p>	 <p>Product Meets European Union Standards</p>

1.6 Safety and Instruction Labels

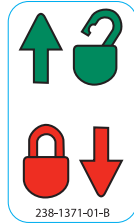
Safety and instruction labels place important information from the users' manual on the cot. Read and follow label instructions. Replace worn or damaged labels immediately. New labels are available from EMSAR (page 22) or from your distributor.



General Information Label
Location: foot end of cot



Pinch Point Label
Location: cot main frame



Leg Lock Label
Location: Leg Lock Control Bar



Auxiliary Lock Information Label
Location: auxiliary lock

2 - OPERATOR SKILLS AND TRAINING

2.1 Skills

Operators using the cot need:

- a working knowledge of emergency patient-handling procedures.
- the ability to assist the patient.

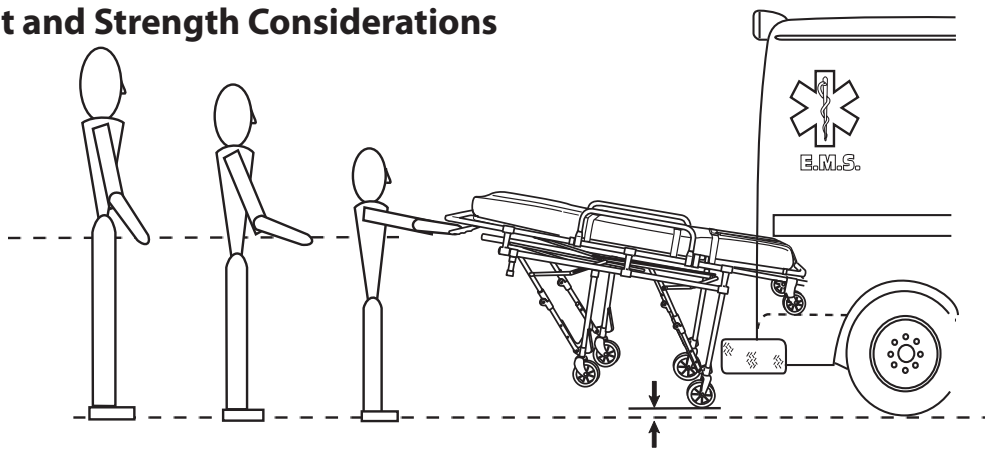
2.2 Training

Operator trainees need to:

- read and understand this manual.
- be trained on the use of the cot.
- practice with the cot before using it with a patient.
- record their training information. A sample training record sheet is provided on page 24.



2.3 Height and Strength Considerations



When unloading the cot, the foot-end operator must lift and hold the weight of the cot, patient and equipment high enough for the wheels to remain off the ground until the undercarriage legs completely unfold and lock into place.

Supporting this weight requires greater strength from short operators than from tall operators because short operators must raise their arms higher in relation to their shoulders.

Be aware that if the ambulance is parked on an uneven surface, the foot-end operator (and any helpers) may need to lift the cot higher than normal to allow the legs to unfold completely and lock.

Note: Use additional help as needed to lift the weight of the cot, patient and equipment (see Using Additional Help, page 17).

3 - ABOUT THE COT

3.1 Cot Description

The Model 26 Series Cot is an emergency patient-handling device designed to transport a patient in a ground-based ambulance. The cot is for professional use by a minimum of two trained operators. It is designed for roll-in loading to help reduce the risk of back injury to medical service personnel.

The cot is designed for use with an approved Ferno® cot fastener (not included). A mattress and set of patient restraints (not included) are required. See *Accessories and Related Products*, page 22, to order these items.

The cots in the Model 26 series are listed below, along with their features. The term “cot” is used in this manual where features are identical among all models. Where features are not shared by all cots, the specific model number is used.



WARNING

Improper use of the cot can cause injury. Use the cot only for the purpose described in this manual.



Load Limit

Inspect the cot if the load limit has been exceeded (See *Inspecting the Cot*, page 19).



COMPATIBLE COT FASTENERS

The cot is designed for use with the Ferno® cot fasteners listed here (not included).

- **All Models:** Ferno® Model 175 Antler-and-Rail Fastener
- **Model 26-AS:** Ferno® Models 170 and Model 175 Fasteners

COT FEATURES (ALL MODELS)

- 2 height positions
- Adjustable backrest
- Swing-down sidearms
- Lead handle
- 5" swivel wheels (foot end); 5" fixed wheels (head end)
- Undercarriage leg lock
- Drop frame
- Foot-end loading posts

MODEL-SPECIFIC FEATURES

- Wheel locks on foot-end swivel casters
 - Model 26 With Wheel Locks
 - Model 26-AS
 - Model 26-S
- Trendelenburg position (“shock frame”)
 - Model 26-AS
 - Model 26-S
- Anodized main-frame tubing (will not leave black residue on hands)
 - Model 26-AS
 - Model 26-S

3.2 General Specifications and Components

AMBULANCE REQUIREMENTS

The patient compartment should have a level floor large enough for the folded cot, and a Ferno cot fastener installed.

U.S.A. NOTICE

The cot is for use with ambulances that meet the requirements of the “Star of Life” certification via Federal Ambulance Specification KKK-A-1822. For information, contact:

Federal Supply Services, Specifications Section
 Suite 8100
 470 E. L’Enfant Plaza, SW
 Washington, DC 20407

SPECIFICATIONS INFORMATION

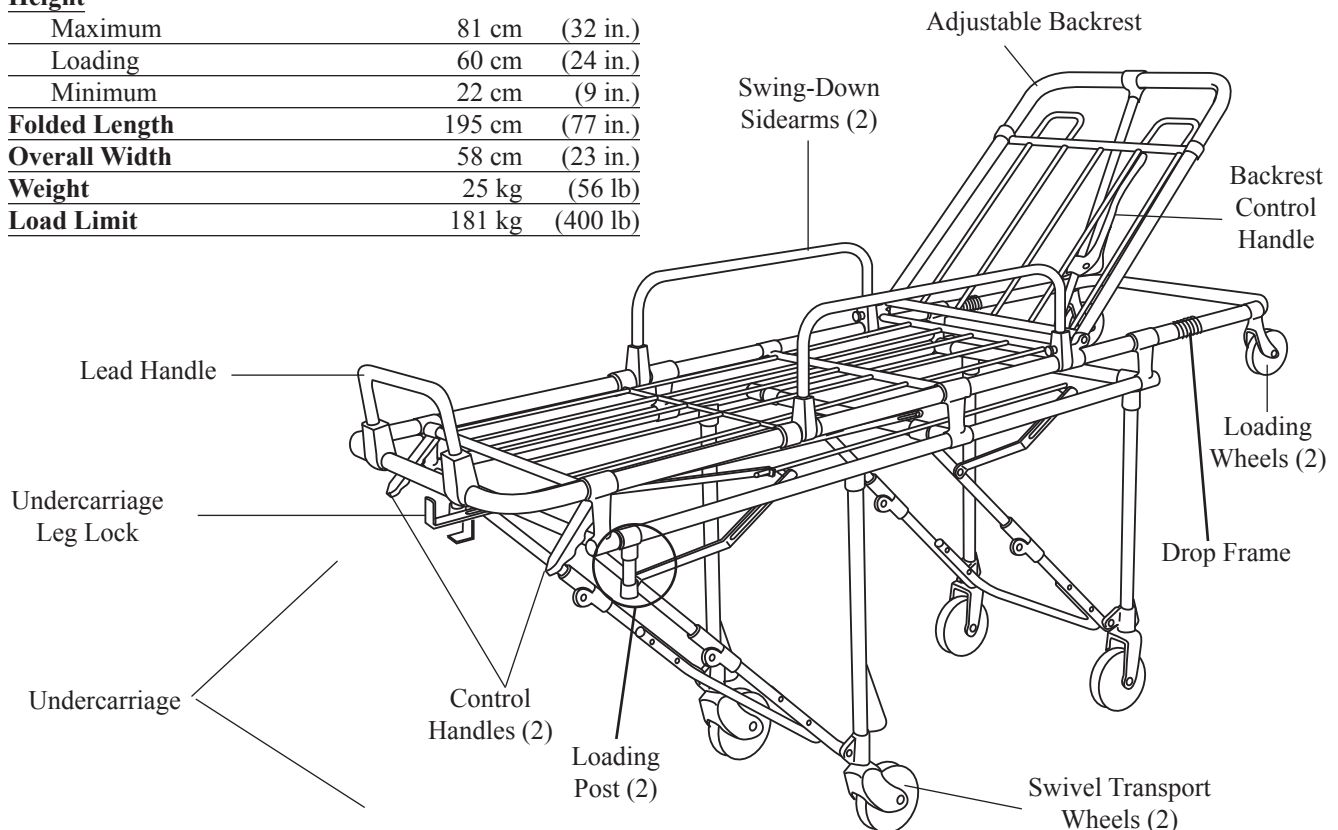
General specifications are rounded to the nearest whole number. Metric conversions are calculated before rounding the Imperial measurements. For more information, contact Ferno Customer Relations (page 2) or your Ferno distributor. Ferno reserves the right to change specifications without notice.

Height is measured as the distance from the ground to the top of the T-casting at the center of the bed frame. Loading height is the distance from the ground to the bottom of the loading wheel.

Cot weights are without mattress, restraints and optional features.

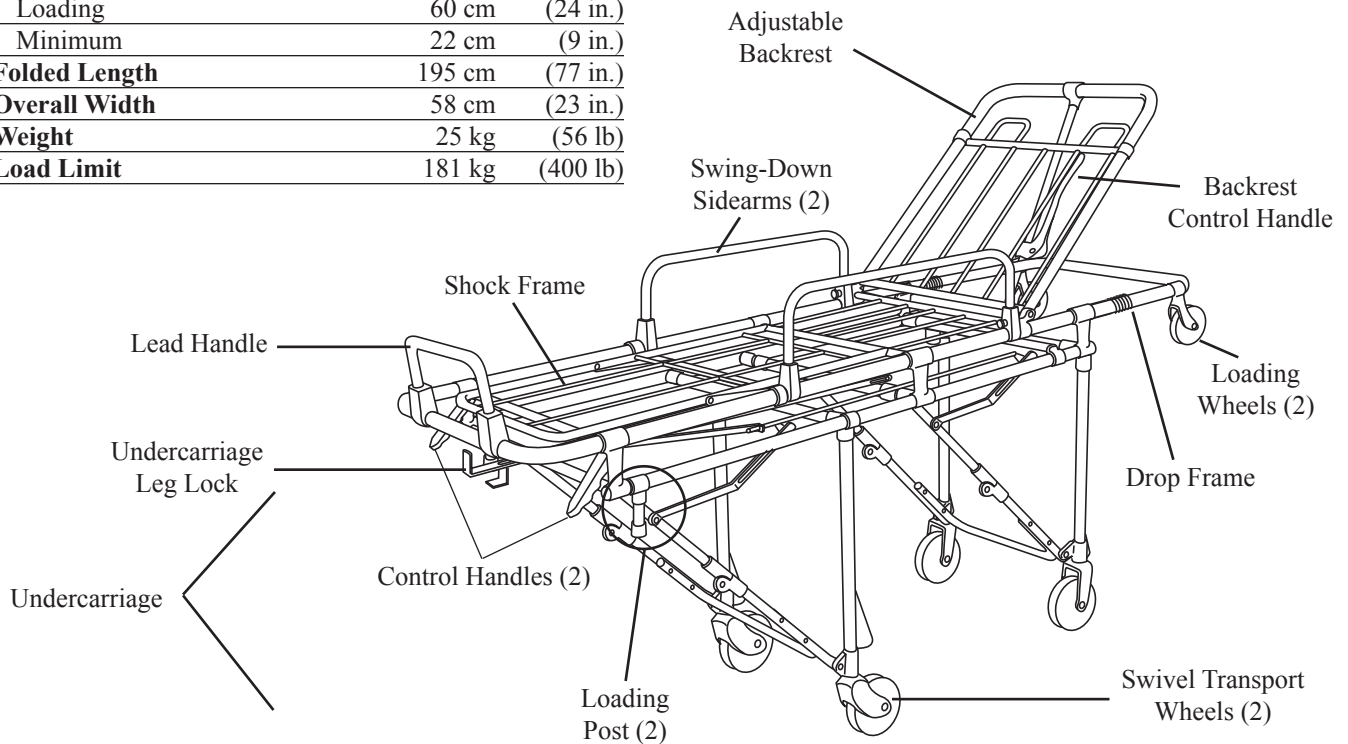
Model 26 Cot Specifications

Height		
Maximum	81 cm	(32 in.)
Loading	60 cm	(24 in.)
Minimum	22 cm	(9 in.)
Folded Length	195 cm	(77 in.)
Overall Width	58 cm	(23 in.)
Weight	25 kg	(56 lb)
Load Limit	181 kg	(400 lb)



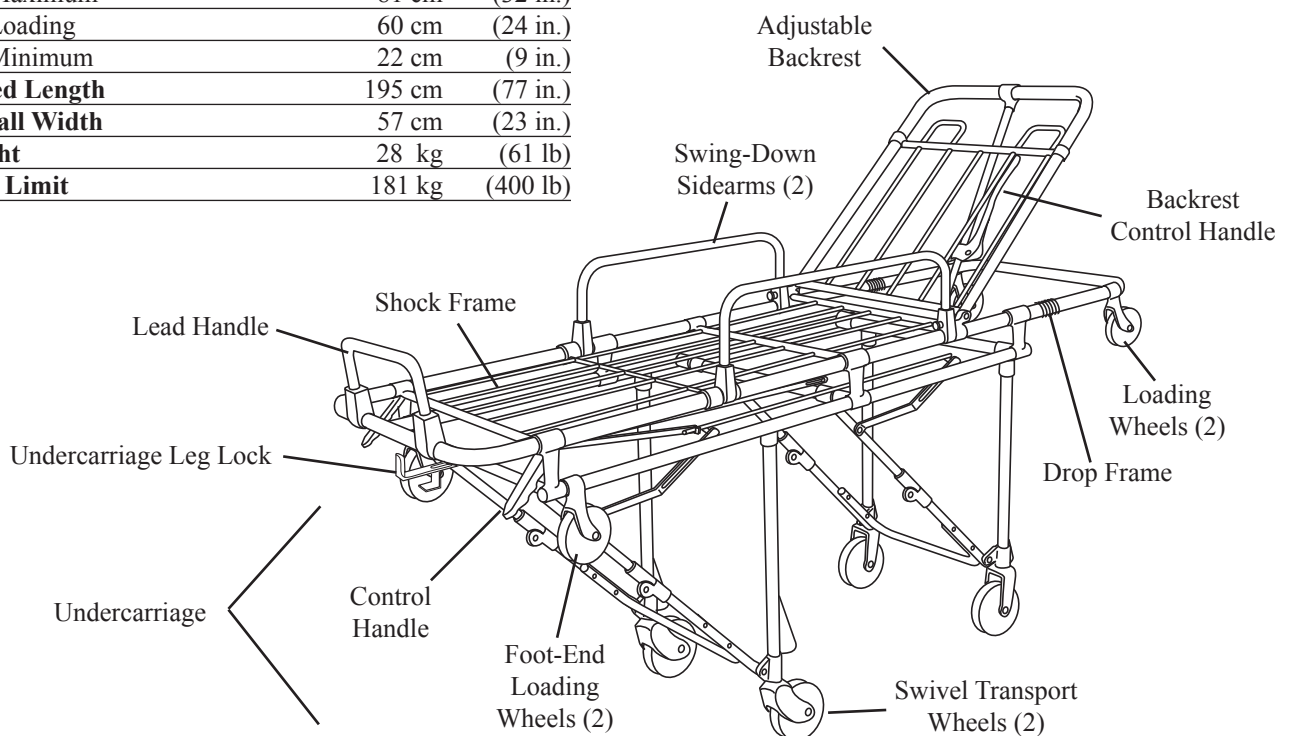
26-S Cot Specifications

Height		
Maximum	81 cm	(32 in.)
Loading	60 cm	(24 in.)
Minimum	22 cm	(9 in.)
Folded Length	195 cm	(77 in.)
Overall Width	58 cm	(23 in.)
Weight	25 kg	(56 lb)
Load Limit	181 kg	(400 lb)



26-AS Cot Specifications

Height		
Maximum	81 cm	(32 in.)
Loading	60 cm	(24 in.)
Minimum	22 cm	(9 in.)
Folded Length	195 cm	(77 in.)
Overall Width	57 cm	(23 in.)
Weight	28 kg	(61 lb)
Load Limit	181 kg	(400 lb)



4 - USING THE FEATURES

4.1 Undercarriage Leg Lock (All Models)

The undercarriage leg lock secures the legs in the folded position. This allows the operators (and helpers) to lift and carry the cot like a stretcher. To engage the leg lock:

1. Place the cot in the folded position.
2. Pull the lock handle (Figure 1).

To disengage the leg lock, push the handle toward the head end of the cot.

Note: Do not engage the leg lock while the cot is loaded in an ambulance. Verify that the leg lock is disengaged before unloading the cot from the ambulance.

Note: Leg locks on cots with serial numbers before L-666059 operate in the opposite direction: Pushing the handle engages the lock, and pulling the handle disengages the lock. Test the leg lock and learn how it works.

Important

Leg locks on cots before Serial Number **L-666059** operate in the opposite direction. Learn about your cot and understand how the leg lock works.

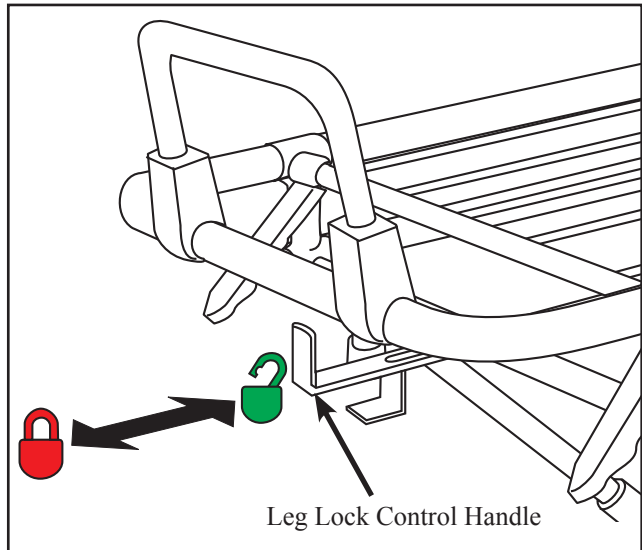


Figure 1 - Using the Undercarriage Leg Lock

4.2 Leg Control Handles (All Models)

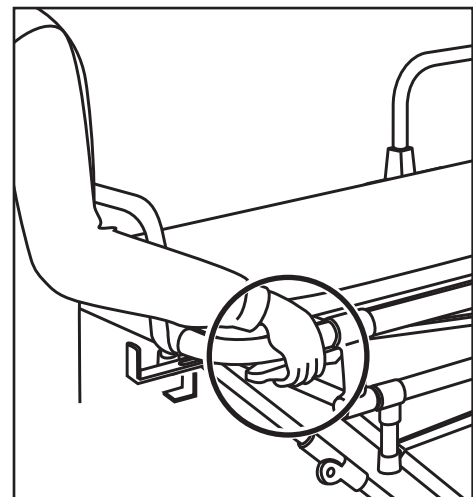
Two leg control handles are located at the foot end of the cot. They operate the leg locking mechanisms that enable the legs to be folded.

The handle on the foot-end operator's right side unlocks the head-end legs (Figure 2). The handle on the foot-end operator's left unlocks the foot-end legs.

When changing cot positions, both operators grasp the cot with an underhand grip. The foot-end operator operates both leg control handles at once. See *Changing Cot Positions*, page 14.

When loading the cot into an ambulance, the foot-end operator operates one leg control handle at a time. See *Loading the Cot*, page 16.

Figure 2 - Using the Control Handles



4.3 Swing-Down Sidearms (All Models)

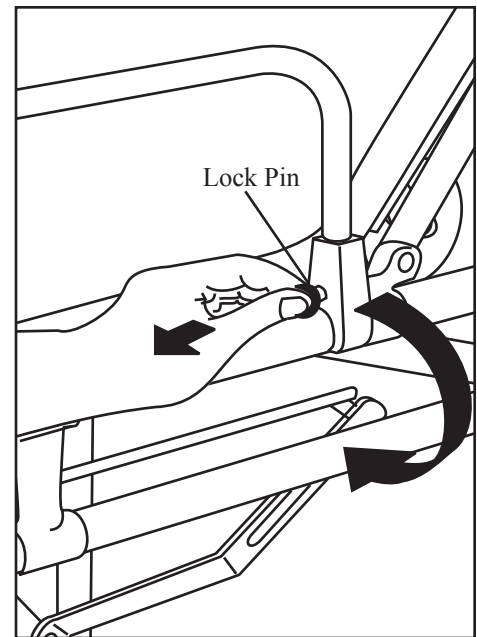
The swing-down sidearms provide patient security and comfort. Keep the sidearms raised except when transferring a patient to and from the cot.

To lower a sidearm, pull the sidearm lock pin and swing the sidearm down (Figure 3). To raise a sidearm, swing the sidearm up until it locks.

Optional sidearm release levers allow you to lower a sidearm with one hand (see *Parts and Service*, page 22).

Important

Do not use the sidearms to lift the cot. Sidearms are not designed for lifting. Lift the cot only by grasping the cot main frame.



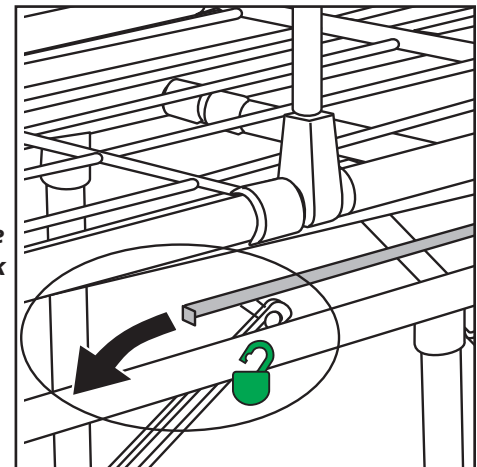
**Figure 3 -
Using the
Swing-Down
Sidearms**

4.4 Auxiliary Lock (All Models)

The auxiliary lock control handle is located near the foot end of the cot on the patient's left side. The engaged auxiliary lock prevents the undercarriage from folding.

The auxiliary lock engages automatically when the cot is changed from the folded to the raised position. Keep the auxiliary lock engaged except when two operators fold the cot, or when loading the cot into an ambulance.

To disengage the auxiliary lock, pull the handle toward the foot end of the cot. As you pull the handle back, also pull down slightly (Figure 4).



**Figure 4 -
Unlocking the
Auxiliary Lock**

4.5 Adjustable Backrest (All Models)

The backrest adjusts to any of 10 positions. To adjust:

1. Unfasten or loosen the harness restraint.
2. Support the backrest frame as you squeeze the backrest control handle.
3. Raise or lower the backrest to near the desired position (Figure 5).
4. Release the backrest control handle, then raise or lower the backrest slightly until the backrest locks into the new position.
5. Fasten and adjust the harness restraint.

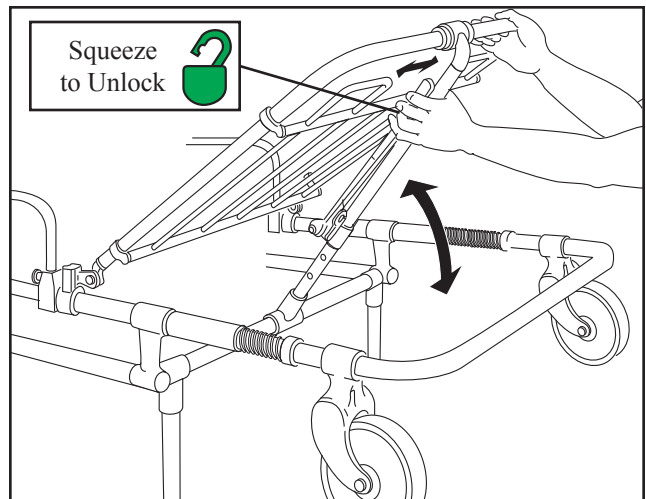


Figure 5 - Adjusting the Backrest

4.6 Drop Frame (All Models)

Use the drop frame to shorten the cot when space is limited, such as in elevators or hallways.

1. Place the cot in the raised position and unfasten or loosen the harness restraint.
2. Raise the backrest.
3. Slide both lock sleeves toward the head end of the cot to expose the drop frame hinges, then push the frame down (Figure 6).
4. Fasten and adjust the harness restraint.

To return the drop frame to the extended position, lift the frame until the lock sleeves snap over the hinges and the frame locks into place.

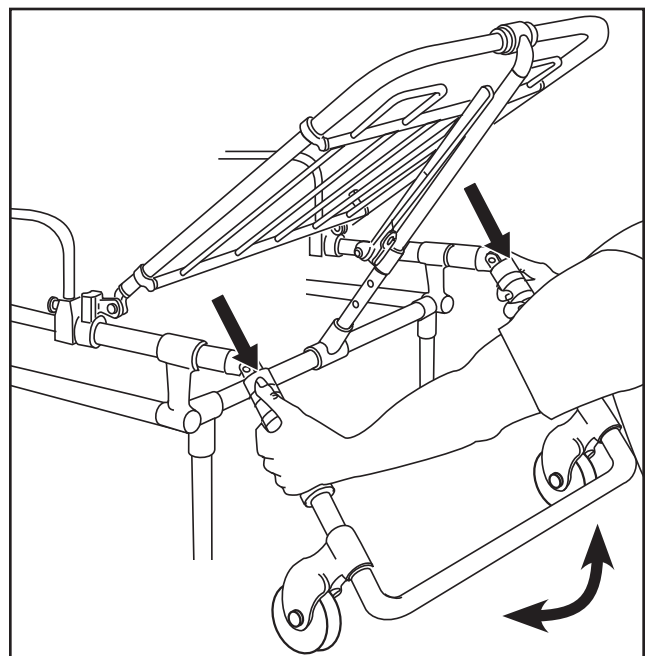


Figure 6 - Using the Drop Frame

4.7 Shock Frame (Models 26-S and 26-AS Only)

To place the patient in Trendelenburg's position, use the shock frame to elevate the patient's legs. Use both hands and an underhand grip (palms up) to support the shock frame while raising or lowering it. Always lift the shock frame from the foot end of the cot, not from the side.

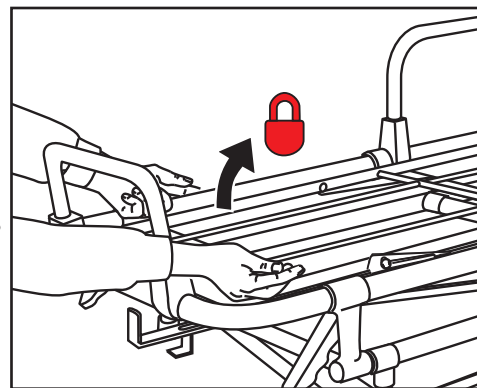
To raise the shock frame:

1. Unfasten or loosen the pelvis and thigh restraints.
2. Lift the shock frame (Figure 7) until it locks into the raised position.
3. Fasten and/or adjust the pelvis and thigh restraints.

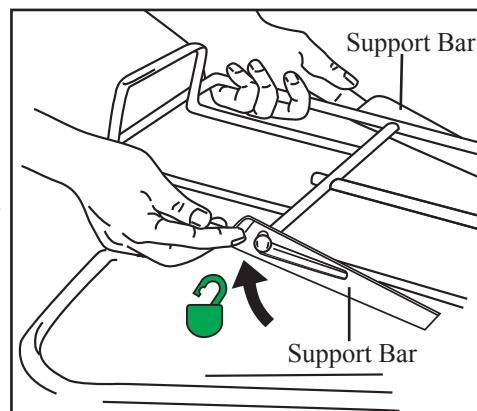
To lower the shock frame:

1. Grasp the corners of the shock frame near the support bars (Figure 8). Disengage the support bars by lifting the bars. Then, lower the shock frame.
2. Adjust or tighten the pelvis and thigh restraints as needed.

**Figure 7 -
Raising the
Shock Frame**



**Figure 8 -
Lowering the
Shock Frame**



4.8 Wheel Locks

- Wheel locks help prevent the cot from rolling. Use the wheel locks to help keep the cot stationary when it is on an uneven surface, during patient transfer, and during certain medical procedures.
- Lock the wheel locks only when the cot is stationary. Do not use the wheel locks as brakes.

MODEL 26 (WITH WHEEL-LOCK OPTION)

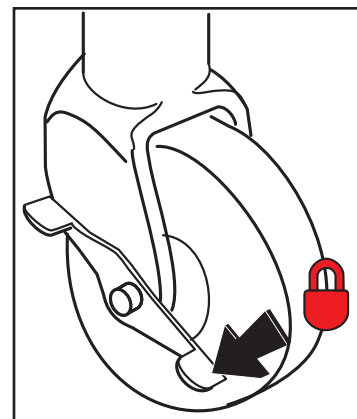
The foot-end swivel casters are fitted with a locking mechanism attached at the side of the wheel (Figure 9). To engage the lock, press the end of the lever down. To disengage, use your toe to lift the lowered end of the lever to the level position, or press down the raised end of the lever.

MODELS 26-S AND 26-AS

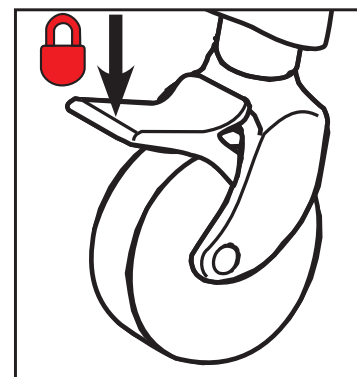
The foot-end swivel casters are fitted with wheel locks with a locking mechanism attached above the wheel (Figure 10).

To engage the lock, use your toe to press the lock lever down. To disengage, use your toe to lift the lever.

**Figure 9 - Engaging a
Wheel Lock**



**Figure 10 - Engaging a
Wheel Lock**



5 - USING THE COT

5.1 Before Placing the Cot in Service

- Personnel who will work with the cot need to read this manual.
- Install the mattress and restraints (not included). See *Patient Restraints*, below.
- Confirm that the cot operates properly. See *Inspecting the Cot*, page 19.
- The vehicle must have a Ferno cot fastener system installed.



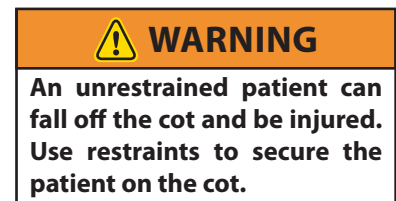
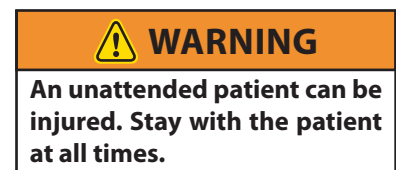
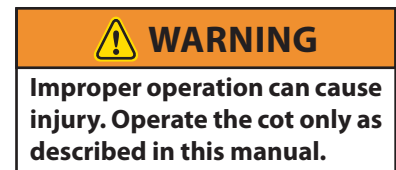
Read the Users' Manual



Two Trained Operators Required

5.2 General Guidelines for Use

- Medical advice is beyond the parameters of this manual.
- It is the users' responsibility to ensure safe practices for the patient and themselves.
- A minimum of two trained operators is required.
- Follow standard emergency patient-handling procedures when operating the cot.
- **Operators work together and maintain control of the cot at all times.**
- Operators communicate with one another and use coordinated movements to operate the cot.
- Lift only the weight you can safely handle. Use additional help when working with heavy loads (patient and equipment). For placement of helpers, see *Using Additional Help*, page 17.
- Stay with the patient at all times.
- Always use patient restraints to secure the patient on the cot.



5.3 Patient Restraints

Patient restraints are required for use with the cot but are not included. See *Accessories and Related Products*, page 22 to order restraints for the cot.

Ferno recommends you use three restraints with the cot: one harness or shoulder/chest-style restraint for the patient's torso (such as the Ferno® Model 417-1), and two belt-style restraints for use at the patient's pelvis and thighs (such as the Ferno® Model 430).

Keep the restraints fastened when they are not in use to prevent them from interfering with cot operation. Install, use and maintain restraints as described in the restraint users' manuals provided with the restraints. Additional manuals are available from your Ferno Distributor or Ferno Customer Relations (page 2).

5.4 Changing Cot Positions

Changing cot positions with a patient on the cot requires a minimum of two trained operators working together. The following instructions address both operators.

- Raise the drop frame to the extended position before changing cot positions.
- Operators stand at opposite ends of the cot and face each other. Grasp the cot main frame with both hands, using an underhand grip (palms up).
- Expect, and be prepared to control, the normal downward movement of the cot that occurs when control handles are squeezed.
- Lift only the weight you can safely handle. Use additional help as needed (See *Using Additional Help*, page 17).

RAISING THE COT

1. **Foot-End Operator:** Verify that the undercarriage leg lock is not engaged. See *Undercarriage Leg Lock*, page 9.
2. **Both Operators:** Grasp the cot main frame with an underhand grip. In a coordinated move, both operators lift the cot (Figure 11) until the legs unfold and lock into the raised position.
3. **Both Operators:** Hold the cot with the wheels slightly off the ground and verify the legs have locked. Then, set the cot on its wheels.

FOLDING THE COT

If the cot is empty (no patient) one trained operator may fold the cot if local protocols allow. Disengage the auxiliary lock, tip the cot onto its loading wheels and head-end transport wheels, and squeeze the leg control handles to fold the cot.

If the cot must be folded when a patient is on the cot, the two trained operators (and helpers) will need an assistant.

1. **Foot-End Operator:** Pull the auxiliary lock handle toward the foot end of the cot to disengage the auxiliary lock (See *Auxiliary Lock*, page 10).
2. **Assistant:** Place one foot against the loading-end wheel to prevent the cot from moving forward.
3. **Both Operators (and helpers):** As the Foot-End Operator squeezes the head-end leg control handle (Figure 12), the operators (and helpers) roll the cot slightly toward the head-end operator, allowing the head-end legs to unlock as the Assistant's foot holds the wheel in place.
4. **Both Operators (and helpers):** Hold the weight of the cot as the Assistant moves to the foot end of the cot; repeat the process as the Operator squeezes the foot-end leg control handle to unlock the foot-end leg lock.
5. **Both Operators (and helpers):** Fold the cot.

Important

- Both operators support the weight of the cot before the foot-end operator squeezes a control handle.
- Operators should expect, and be prepared to control, the normal downward movement of the cot that occurs when a control handle is squeezed.
- When raising the cot to the raised position, always check to make sure both sets of legs are locked before you release your grasp on the frame.

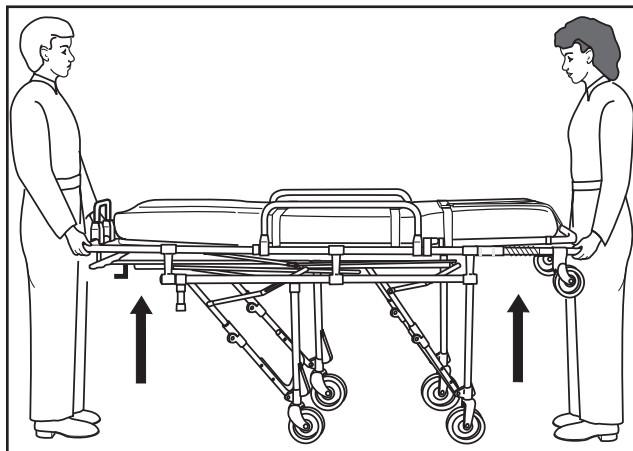


Figure 11 - Raising the Cot

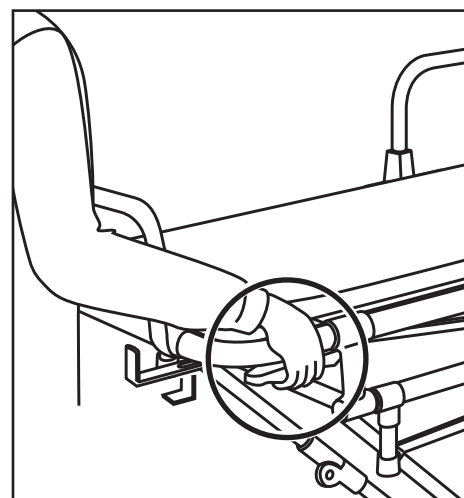


Figure 12 - Squeezing the Control Handles

5.5 Rolling the Cot

GENERAL GUIDELINES

- Rolling the cot with a patient on the cot requires a **minimum of two trained operators working together and maintaining control of the cot at all times.**
- Roll the cot on smooth, unobstructed surfaces whenever possible.
- To cross a low obstacle such as a door sill, lift the cot slightly to take the weight off the wheels so the wheels roll smoothly over the obstacle.
- Lift and carry the cot over a high obstacle such as a curb. **Do not** apply downward force on one end of the cot in order to raise the other end of the cot over the obstacle.
- Use additional help as needed to safely control the weight of the patient and cot (see *Using Additional Help*, page 17).
- When rolling the cot over rough terrain, the operators (and helpers) should grasp the main frame with both hands.

To roll the cot:

1. Securely fasten all restraints around the patient.
2. Place the cot in the raised position.
3. **Foot-End Operator:** Position yourself at the foot end of the cot, grasp the main frame, and pull the cot forward. Or, if rolling the cot on a smooth, flat surface, use the lead handle to pull the cot.

Assisting Operator: Position yourself at either the head-end of the cot (grasping the drop frame) or at the side of the cot near the patient's torso (grasping the main frame). Attend the patient and assist in rolling and steering the cot.

5.6 Transferring a Patient to the Cot

To transfer a patient onto the cot:

1. Roll the cot to the patient.
2. Position the cot as close to the patient as possible. Fold the cot if necessary.
3. Unfasten the restraints and arrange the straps so they will not interfere with transferring the patient onto the cot.
4. Lower the sidearms.
5. If the cot is equipped with wheel locks, lock them if needed to help hold the cot steady.
6. Transfer the patient onto the cot using approved EMS procedures and your local protocols.
7. Raise the sidearms until they lock.
8. As needed, adjust the backrest and shock frame (if equipped).
9. Fasten and adjust the patient restraints.
10. Before moving the cot or changing its position, make sure sheets and other articles will not interfere with cot operation.
11. Change the cot to the raised position for rolling, or use the undercarriage leg lock to lock the legs so the cot can be carried.
12. If the cot is equipped with wheel locks, unlock the wheel locks before rolling the cot.

5.7 Loading the Cot

Loading the cot with a patient on it requires a minimum of two trained operators working together. Use additional help as needed when working with heavy loads (patient and equipment). See *Using Additional Help*, page 17.

1. **Head-End Operator:** Raise the drop frame to the extended position.
2. **Both Operators:** Roll the cot into the patient compartment until the loading wheels rest on the patient compartment floor and the head-end legs contact the ambulance bumper (Figure 13).
3. **Foot-End Operator:** Release the auxiliary lock (see *Auxiliary Lock*, page 10).
4. **Foot-End Operator:** Squeeze the right control handle to unlock the head-end legs. Push the cot into the ambulance (Figure 14).
5. **Head-End Operator:** Grasp the cot main frame and assist the Foot-End Operator as the cot is pushed into the patient compartment.
6. **Foot-End Operator:** When the foot-end legs contact the ambulance bumper, squeeze the left control handle to unlock the foot-end legs and push the cot completely into the patient compartment.
7. **Foot-End Operator:** Release the control handles and secure the cot in an approved Ferno cot fastener.

5.8 Unloading the Cot

Unloading the cot with a patient on it requires a minimum of two trained operators working together. Use additional help as needed when working with heavy loads (patient and equipment). See *Using Additional Help*, page 17.

Both operators work together and do the following:

1. **Either Operator:** Release the cot from the cot fastener.
2. **Foot-End Operator:** Check that the undercarriage leg lock is disengaged before removing the cot from the patient compartment (see *Undercarriage Leg Lock*, page 9).

Note: Cots with Serial Numbers below **L-666059** have leg locks that operate in the opposite direction. See page 9.

3. **Foot-End Operator:** Grasp the cot main frame and begin slowly pulling the cot out of the ambulance. Keep the loading wheels on the patient compartment floor until both sets of legs unfold and lock into place.
4. **Both Operators:** Hold the foot end of the cot high enough for both sets of legs to remain clear of the ground as they swing down and lock into place. Use additional help as needed to support the weight of the cot (see *Using Additional Help*, page 17).
5. **Both Operators:** Verify that both sets of legs have locked into place.
6. **Both Operators:** Roll the cot out of the patient compartment and away from the ambulance.

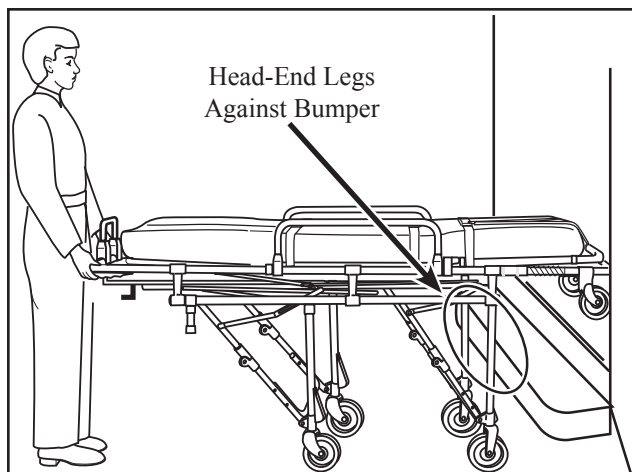


Figure 13 - Preparing to Load the Cot

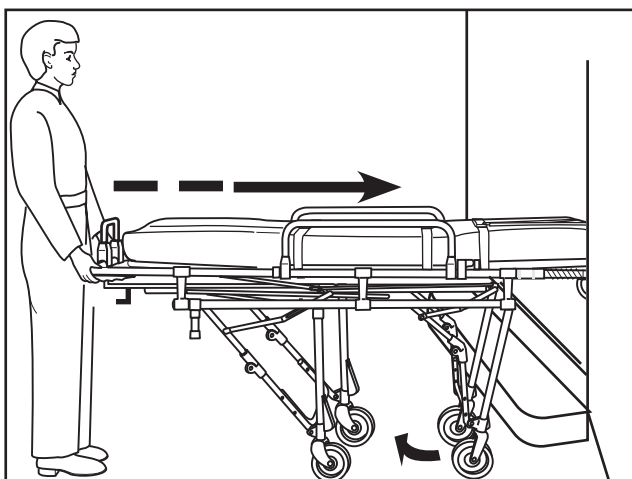


Figure 14 - Folding the Head-End Legs

Important

If the ambulance is parked on an uneven surface, the operators (and any helpers) may need to lift the cot higher than normal to allow the undercarriage to lock.

Important

When unloading, keep the loading wheels on the patient compartment floor until both sets of legs unfold and lock into place.

Important

Leg locks on cots through Serial Number **L-666059** operate in the opposite direction. Learn about your cot and understand how the leg lock works.

5.9 Using Additional Help

Operating the cot requires a minimum of two trained operators. They may need additional help when working with heavy loads (patient plus equipment).

- Operators stand at the head and foot ends of the cot, maintain control of the cot, operate the controls, and direct all helpers.

- Side helpers may need to walk sideways under some circumstances. Follow local protocols.
- Ferno recommends that helpers work in pairs to help maintain cot balance.


The chart below shows suggested placement for operators and helpers.

Helpers	Changing Levels	Rolling	Loading/Unloading
Two Operators + Two Helpers			
Two Operators + Four Helpers			

Key: O = Operator H = Helper P = Patient

WARNING
 Helpers can cause injury. Maintain control of the cot, operate the controls, and direct all helpers.

WARNING
 Helpers can be injured. Show helpers where to grasp the cot to avoid pinch points.

Load Limit

 181 kg
 400 lb
 Inspect the cot if the load limit has been exceeded (See *Inspecting the Cot*, page 19).

6 - MAINTENANCE

6.1 Maintenance Schedule

The cot requires regular maintenance. Set up and follow a maintenance schedule. The table at right represents minimum intervals for maintenance.

Keep maintenance records. A sample maintenance record sheet is provided on page 24.

When using maintenance products, follow the manufacturers' directions and read the manufacturers' material safety data sheets. You can purchase a recommended disinfectant from your Ferno distributor or Ferno Customer Relations (page 2).

6.2 Disinfecting and Cleaning the Restraints

Remove the restraints from the cot. Disinfect and clean only as directed in the restraint users' manuals provided with the restraints. Additional, free users' manuals can be obtained from Ferno Customer Relations (page 2).

6.3 Disinfecting and Cleaning the Mattress

1. Remove the mattress from the cot.
2. **To disinfect:** Apply disinfectant to the mattress, following the manufacturer's instructions for application method and contact time.
3. **To clean:** Wash the mattress with warm, soapy water and a soft cloth. Rinse the mattress with clear water. Hang the mattress to dry, or dry it with a towel.

6.4 Disinfecting the Cot

Wipe all surfaces with disinfectant. Follow the disinfectant manufacturer's instructions for application method and contact time. Ferno recommends you inspect the cot for damage as you disinfect it.

6.5 Cleaning the Cot

1. Remove the restraints, mattress and any accessories.
2. Hand clean all surfaces of the cot with warm water and a mild detergent.
3. Rinse with warm, clear water. Dry the cot with a towel or allow it to air-dry.

 WARNING
Improper maintenance can cause injury. Maintain the cot only as described in this manual.

Minimum Maintenance Intervals	Each Use	As Needed	Each Month
Disinfecting (this page)	•		
Cleaning (this page)		•	
Waxing (page 19)		•	
Inspecting (page 19)		•	•
Lubricating (pages 20 and 21)		•	

Important
Disinfectants and cleaners containing bleach, phenolics, or iodines can cause damage. Do not use products containing these chemicals.

Important
Water under high pressure, or steam, can penetrate joints, flush away lubricant, and cause corrosion. Use caution when cleaning moving parts such as joints and hinges, and reapply lubricant if needed (see <i>Lubricating the Cot</i> , pages 20 and 21).

Important
Model 26-S and 26-AS cots contain anodized tubing. Using abrasive cleaning compounds or applicators will remove the anodization and will damage the cot's appearance. Do not use abrasive materials to clean these cots.

6.6 Waxing the Cot

Disinfect and clean the cot before waxing it. Apply a coat of automotive wax to all metal surfaces of the cot. Follow the wax manufacturer’s instructions.

6.7 Inspecting the Cot

Have your service’s equipment maintenance personnel inspect the cot regularly. Follow the checklist at right and operate the cot through all its functions as described in this manual.

If inspection shows damage or excessive wear, remove the cot from service until repair is made. See *Parts and Service*, pages 22 and 23.

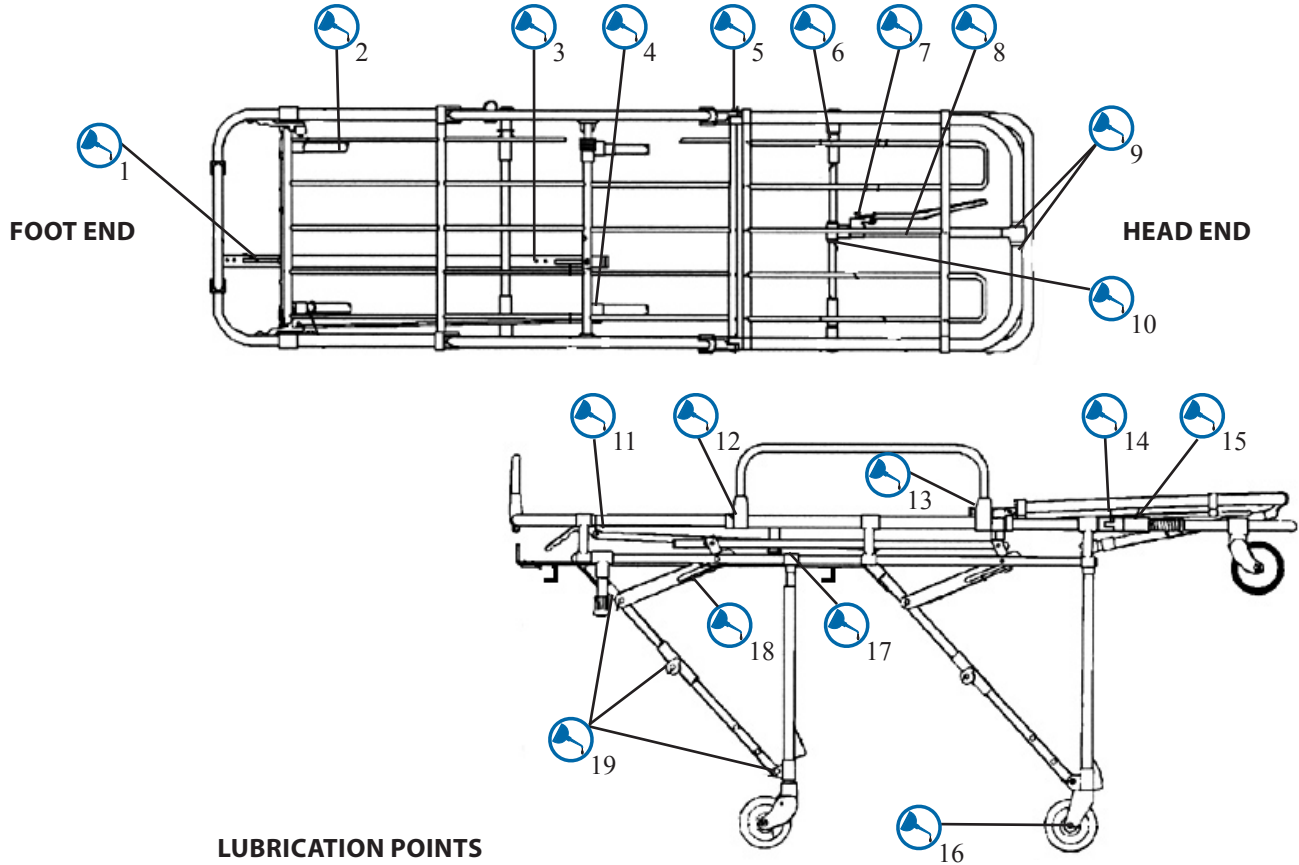
INSPECTION CHECKLIST
<ul style="list-style-type: none"> • Are all components present? • Is the cot free of excessive wear? • Are all screws, nuts, bolts, rivets, and roll pins securely in place? • Do all moving parts operate smoothly and properly? • Do the legs lock properly into the raised position? • Does each set of legs fold properly? • Does the cot load and unload properly? • Does the auxiliary lock prevent the cot from folding? • Does the undercarriage leg lock securely hold the legs in the folded position? • Does the cot roll smoothly? • (Model 26 only) Do the wheels have some tread? • (Model 26-S and 26-AS) Do the wheels show excessive wear? • (When equipped) do the wheel locks engage properly and stop wheel rotation? • Are the restraints properly installed? • Is restraint webbing in good condition with no cuts or frayed edges? • Are restraint buckles free of visible damage and do they operate properly? • Is the ambulance properly prepared for the cot with an approved Ferno cot fastener installed? • Do installed accessories operate properly without interfering with cot operation?

6.8 Lubricating the Cot

Disinfect and clean the cot before applying lubricant. Use the lubricants designated below to lubricate the cot. Lubricate only the reference points indicated.

Important
Lubricating parts that should not be lubricated allows dirt and foreign particles to collect on those parts, resulting in damage. Lubricate **only** the numbered reference points shown.

MODEL 26 SERIES COTS (BEFORE SERIAL NUMBER L-628253)



LUBRICATION POINTS

1	Undercarriage leg lock bar	White lithium grease
2	Triangle casting (2)	WRL-191S, E-Z-1, or SAE 30-weight oil
3	Undercarriage leg lock slide bar	White lithium grease
4	Center leg casting	WRL-191S, E-Z-1, or SAE 30-weight oil
5	Backrest hinge pivot point (2)	WRL-191S, E-Z-1, or SAE 30-weight oil
6	T-casting (2; see Note)	WRL-191S, E-Z-1, or SAE 30-weight oil
7	Backrest pin (only)	WRL-191S, E-Z-1, or SAE 30-weight oil
8	Backrest tube	White lithium grease
9	Backrest upper head ratchet	WRL-191S, E-Z-1, or SAE 30-weight oil
10	Backrest lower head ratchet	WRL-191S, E-Z-1, or SAE 30-weight oil
11	Leg release linkage	White lithium grease
12	Sidearm casting (4)	WRL-191S, E-Z-1, or SAE 30-weight oil
13	Sidearm lock pin (2)	WRL-191S, E-Z-1, or SAE 30-weight oil
14	Drop frame hinge (2)	WRL-191S, E-Z-1, or SAE 30-weight oil
15	Inside hinge sleeve (2)	WRL-191S, E-Z-1, or SAE 30-weight oil
16	Load & Trans. wheel bearings (6)	WRL-191S, E-Z-1, or SAE 30-weight oil
17	Leg T-casting (2; see Note)	WRL-191S, E-Z-1, or SAE 30-weight oil
18	Head, foot leg adjustment slots (4)	White lithium grease
19	Head, foot leg pivot points (12)	WRL-191S, E-Z-1, or SAE 30-weight oil

Note: To lubricate the T-castings, lay the cot on its side and allow the lubrication to run into the casting. Turn the cot over and repeat for the other side.

MODEL 26 SERIES COTS (SERIAL NUMBER L-628253 AND HIGHER)

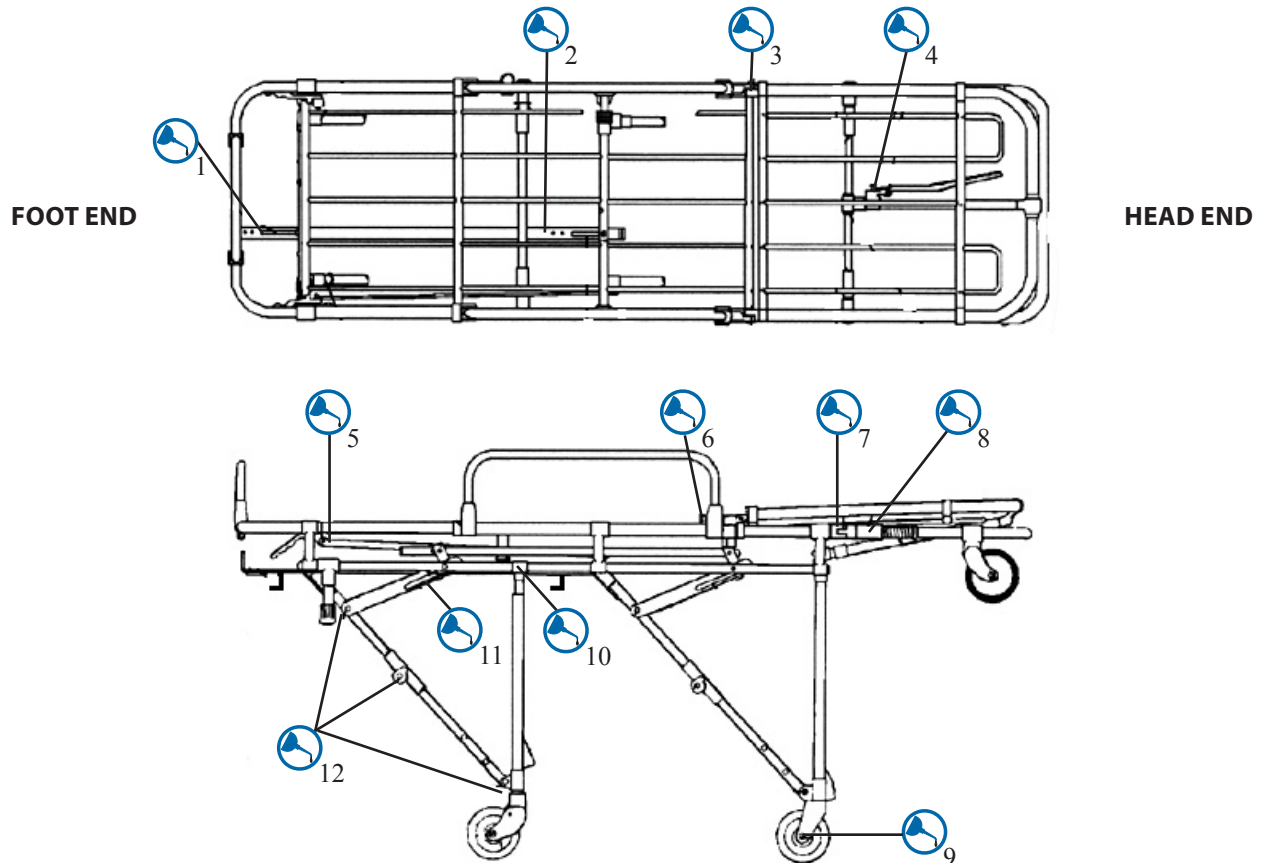
During 2000, the Model 26 series cots received new, lubrication-free parts that eliminate many lubrication points. If your cot was purchased after November 6, 2000, or has a serial number higher than **L-628253**, your cot contains these new parts. Use the lubrication diagrams on this page. If you are uncertain whether your cot has the new parts, contact your Ferno Customer Relations or your Ferno distributor (page 2).



Do Not Lubricate



Lubricate



LUBRICATION POINTS

1	Undercarriage leg lock bar	White lithium grease
2	Undercarriage leg lock slide bar	White lithium grease
3	Backrest hinge pivot point (2)	WRL-191S, E-Z-1, or SAE 30-weight oil
4	Backrest pin (only)	WRL-191S, E-Z-1, or SAE 30-weight oil
5	Leg release linkage	White lithium grease
6	Sidearm release pin shaft (2)	WRL-191S, E-Z-1, or SAE 30-weight oil
7	Drop frame hinge (2)	WRL-191S, E-Z-1, or SAE 30-weight oil
8	Inside hinge sleeve (2)	WRL-191S, E-Z-1, or SAE 30-weight oil
9	Load & Trans. wheel bearings (6)	WRL-191S, E-Z-1, or SAE 30-weight oil
10	Leg T-casting (2, see Note)	WRL-191S, E-Z-1, or SAE 30-weight oil
11	Head, foot leg adjustment slots (4)	White lithium grease
12	Head, foot leg pivot points (12)	WRL-191S, E-Z-1, or SAE 30-weight oil

LUBRICATION-FREE ITEMS

	Backrest Tube	Do not lubricate
	Nylon Leg Bearings	Do not lubricate
	Sidearm Casting	Do not lubricate

Note: To lubricate the T-castings, lay the cot on its side and allow the lubrication to run into the casting. Turn the cot over and repeat for the other side.

7 - ACCESSORIES AND RELATED PRODUCTS

Ferno offers a full line of emergency medical service accessories (fasteners, IV poles, immobilizers, blankets, etc.). Selected items approved for use with the cot are listed at the right.

Follow all instructions packed with accessories. Keep the instructions with this manual. When using accessories, be aware of any special considerations such as doorway heights and widths, etc.

Contact Ferno Customer Relations (page 2) or your Ferno distributor for product information.

 WARNING
Attaching improper items to the cot can cause injury. Use only Ferno-approved items on the cot.

Model 175 Series	Cot Fastener
Model 360	3" Flat Mattress
Model 460	Bolster (Contoured) Mattress
Model 417-1	Harness Restraint
Model 430	Belt (Pelvis or Thigh) Restraint
Model 513 Series	IV Pole
Model 514	Oxy Clip O ₂ Holder
Model 505	(Head-end) Lead Handle Kit

8 - PARTS AND SERVICE

8.1 U.S.A. and Canada

In the United States and Canada, to order parts or for professional cot repair, contact EMSAR® - the only agent authorized by Ferno to manage, service, and repair Ferno products.

Telephone (Toll-Free)	1.800.73.EMSAR
Telephone	1.937.383.1052
Fax	+1.937.383.1051
Internet	www.EMSAR.com

8.2 Worldwide

To order Ferno parts, and for professional cot repair, contact your Ferno distributor. Your distributor is the only agent authorized by Ferno to manage, service, and repair Ferno products.

8.3 Parts List

Part	Kit #	Description
1	090-0152	Footrest assy. complete
2	090-1320	Lead handle only
3	090-0153	Leg lock bar
4	090-0560	#20 Crutch tip w/inserts (pair)
5	090-0800	13-3/4" U-brace
6	090-3446	5" Shank w/bearing
7	090-1259	1/2" Wheel shank bearings (pair)
8	090-3335	5/16" Axle bolt/nut (cots w/wheel locks)
9	090-4278	5/16" Bearings, pair (cots w/wheel locks)
10	090-0850	Scuff blocks (set of 4)
11	090-0180	Standard axle bolt w/nut for 5" wheel
12	090-1266	3/8" Wheel bearings (pair)
13	090-0060	5" Wheel w/bearings, axle bolt, & nut
14	090-0032	Sidearm pin w/knob & spring
15	090-0960	5" Loading wheel

 WARNING
Improper parts and service can cause injury. Use only Ferno parts and Ferno-approved service on the cot.

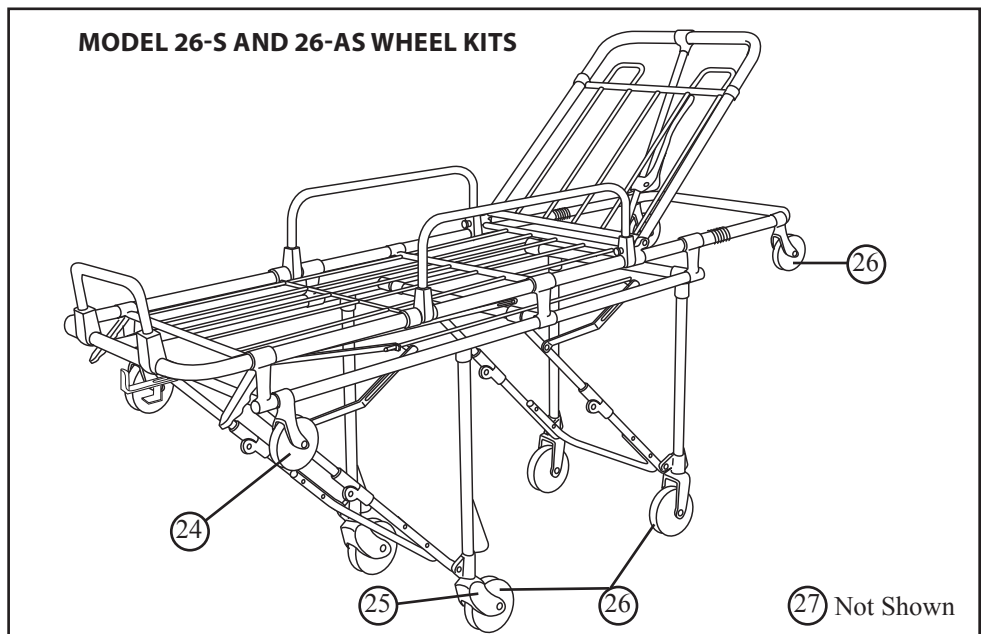
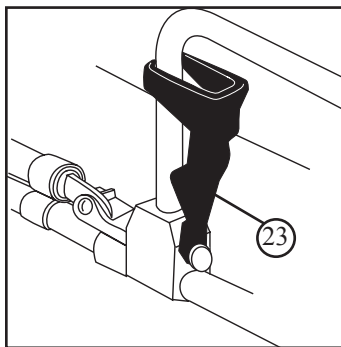
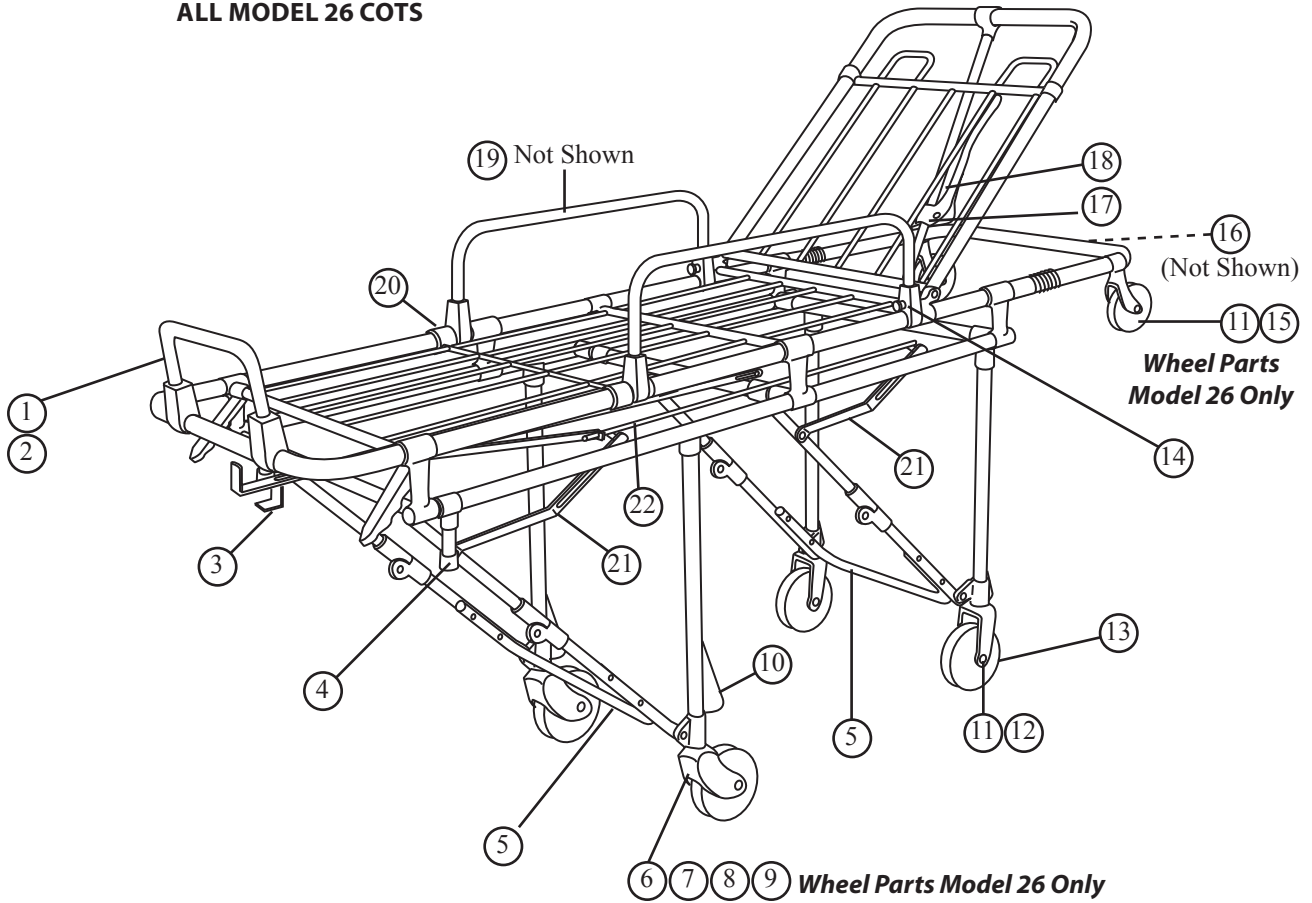
 WARNING
Modifying the cot can cause injury and damage. Use the cot only as designed by Ferno.

Part	Kit #	Description
16	090-2947	Head-end lead handle castings, pair (*)
17	090-3077	Backrest assembly pin
18	090-2948	V-Spring for backrest assembly
19	090-5617	Armrests (pair, optional)
20	090-0277	Fastener post split casting (for Model 175)
21	090-0154	Leg lock bar
22	090-0155	Auxiliary lock control bar
23	090-5596	One-hand sidearm release (1 only, optional)
24	090-4318	Model 26-AS foot-end load wheel (4") and sleeve
25	190-1700	Tente 5" caster (complete assy., wheel and fork)
26	090-5522	5" Tente wheel, axle, bolt/nut
27	083-2098	Wheel lock repair kit (lock lever and roller)

(*) Use with optional Model 505 head-end lead handle (See *Accessories and Related Products*, above)

8.4 Parts Diagrams

ALL MODEL 26 COTS



TRAINING RECORD		
Date	Name	Training Method

MAINTENANCE RECORD		
Date	Maintenance Performed	By